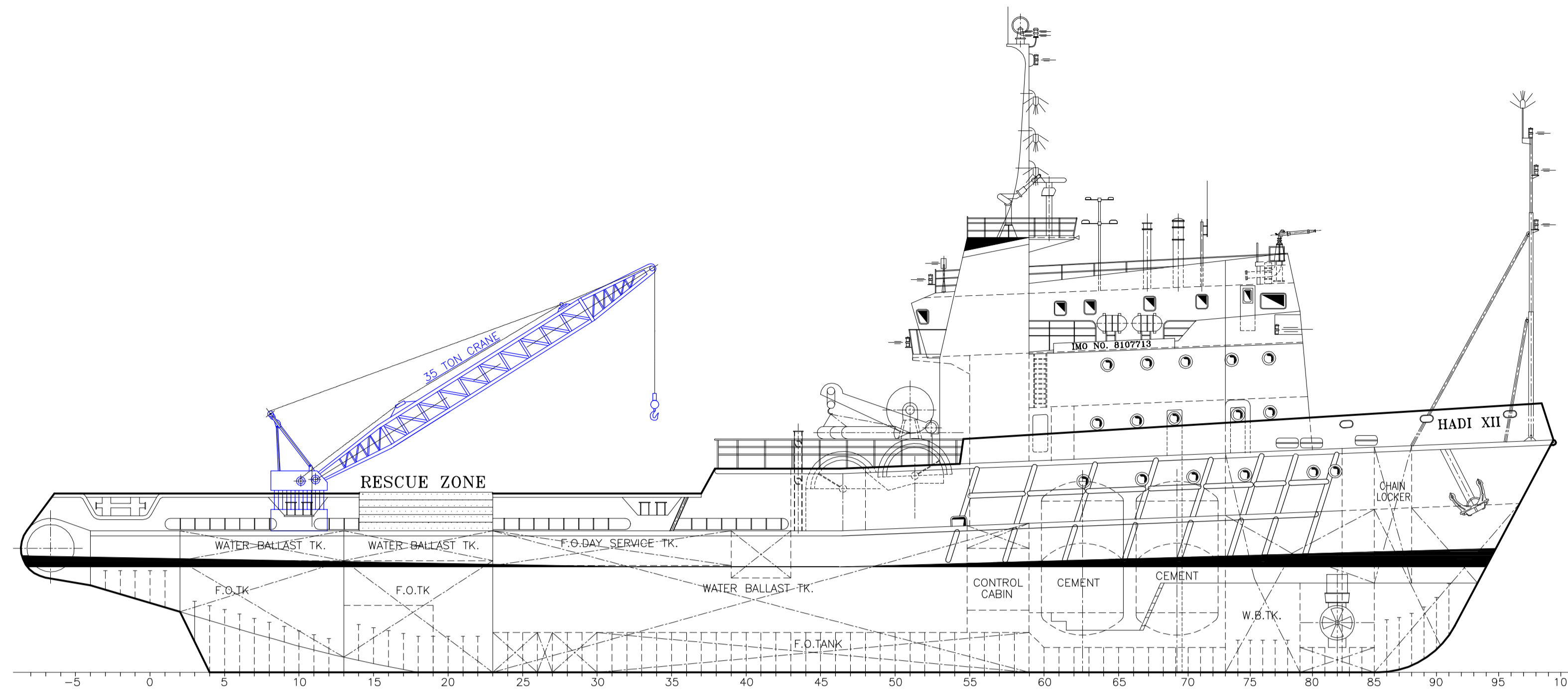
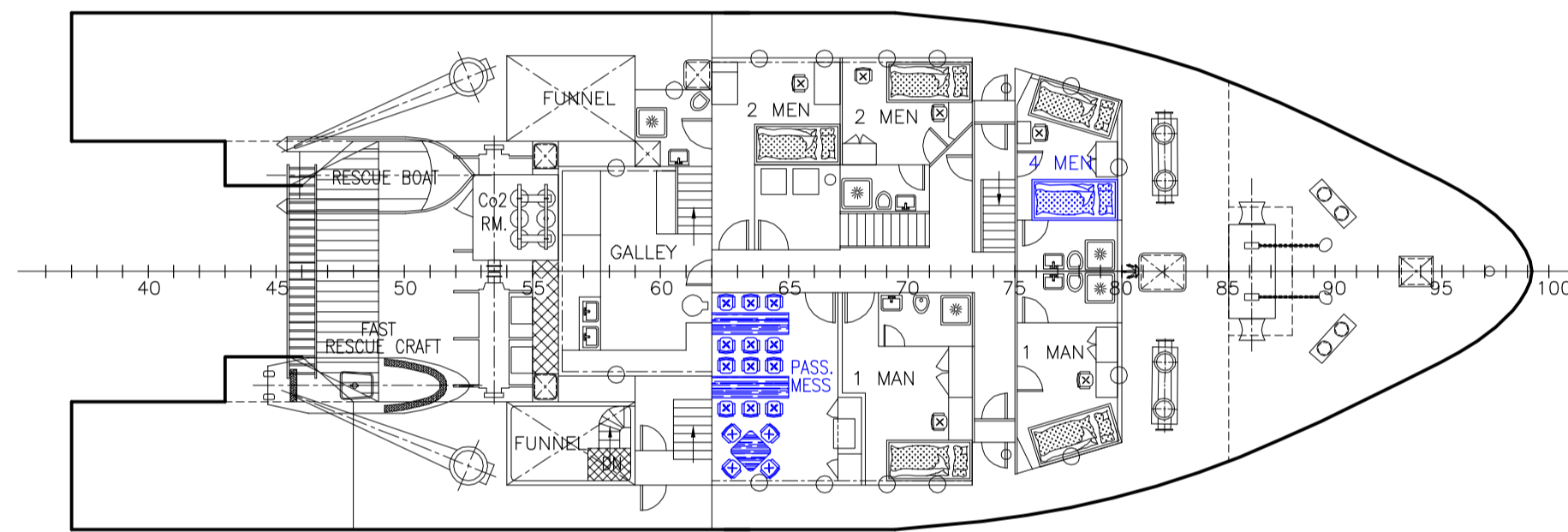


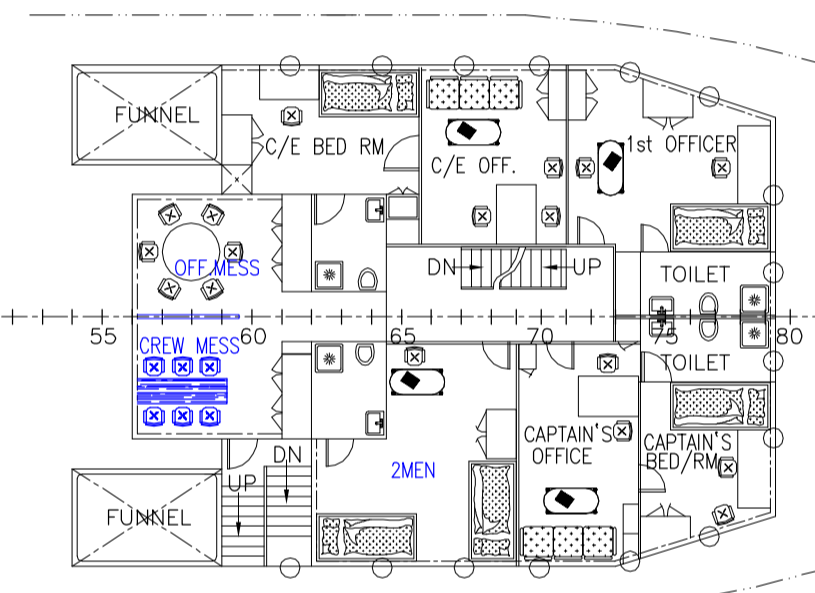
# GENERAL ARRANGEMENT - AHTS "HADI XII"



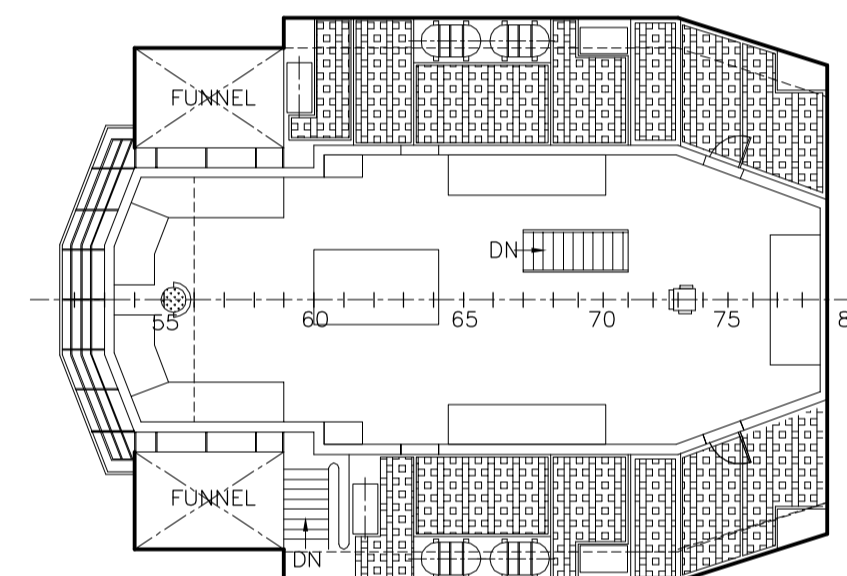
PROFILE



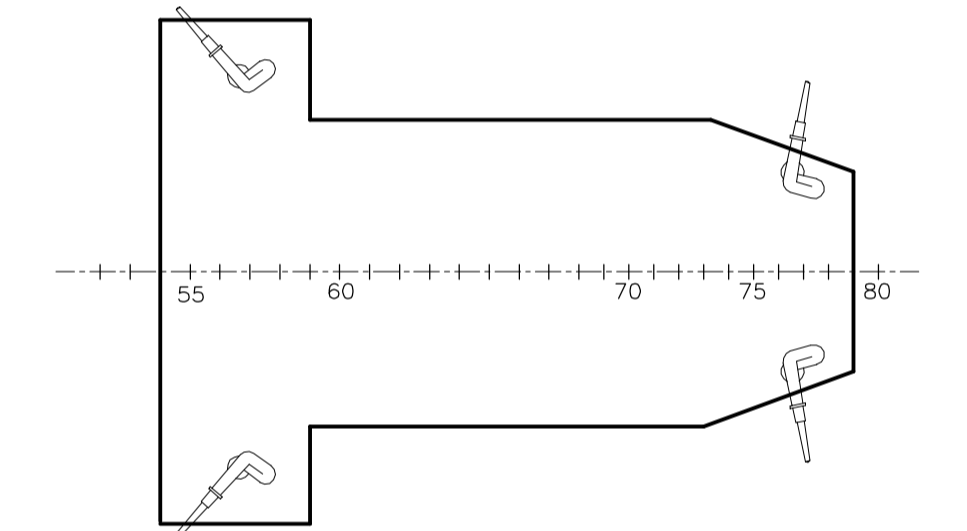
FORECASTLE DECK



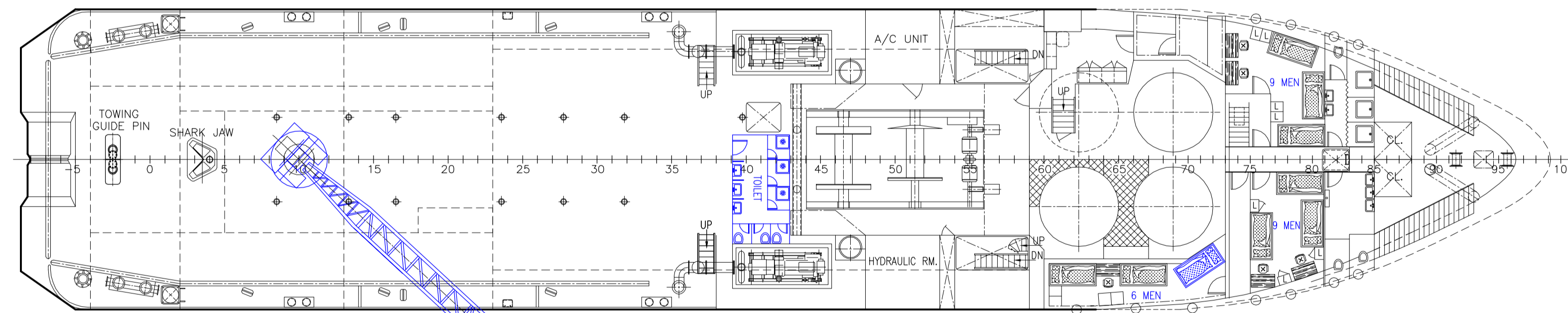
OFFICERS DECK



WHEEL HOUSE DECK



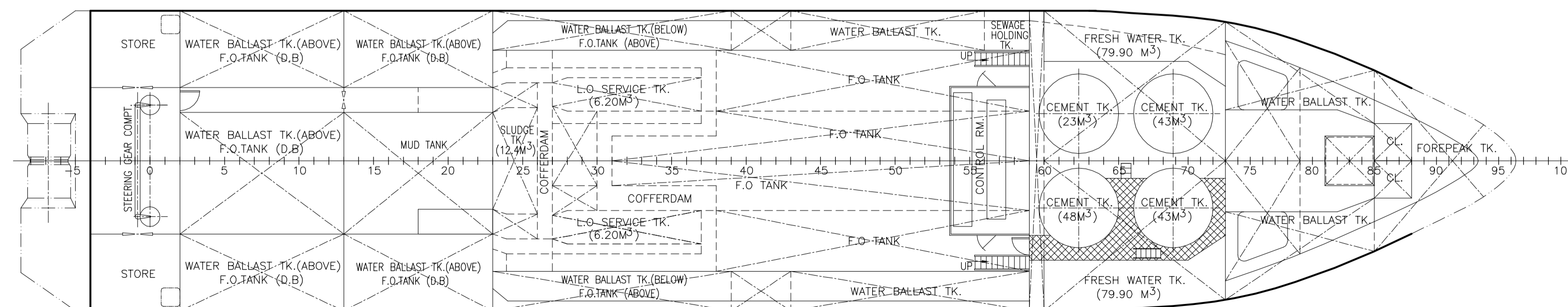
MONKEY ISLAND



MAIN DECK PLAN

LEGEND  
 - :NEW  
 - :EXISTING

PRINCIPAL PARTICULARS	
LENGTH (L.O.A)	= 61.50 m
LENGTH (B.P)	= 53.90 m
BREADTH (MLD.)	= 12.10 m
DEPTH (MLD)	= 05.70 m
DRAFT (LOADED)	= 04.40 m
I.M.O NO.	= 8107713



TANK TOP PLAN

## AHTS "HADI XII"

REV	DESCRIPTION	DATE	SIGN
0	INITIAL ISSUE	26.03.09	DD

REVISIONS	
0	INITIAL ISSUE

	<b>ARIES MARINE &amp; ENGG. SERVICES</b> P.O. BOX - 24496, SHARJAH, U.A.E. Tel: 00971(0)6 5614166, Fax: 00971(0)6 5614167 Website: www.ariesmarine.co.ae, Email: ariesmar@emirates.net.ae
	This drawing, design concept, and specifications are the property of <b>ARIES MARINE &amp; ENGG. SERVICES</b> and are furnished on a confidential basis with an expressed understanding that they will not be copied in any manner, used for manufacture, sold, transferred, nor used to the detriment of said firm without written permission. The recipient further agrees not to disclose these contents hereof to any other parties except for those specific purposes for which this drawing was issued.

TITLE: <b>GENERAL ARRANGEMENT</b>		
VESSEL NAME : HADI XII	DATE : 26.03.2009	DWG. No : DS1211/201
DRAWN BY : SHK	JOB No : DS1211	SHEET : 01 OF 01
CHECKED BY : DD	SCALE : 1:150	REV : 0 SIZE : A1